



BARRETT®



NO INTRODUCTION REQUIRED.

Maybe it's because we're the name that started it all. Maybe it's because we're known for creating rifles that outperform, outsmart and outlast all others. Or maybe it's because Barrett® owners across the world are as passionate about these guns as we are. Whatever the reason, one thing's for sure: thanks to loyal Barrett followers everywhere, our reputation speaks for itself.

▲ Contents

6	MRAD™
10	M107A1™
14	Model 82A1®
18	Model 98B®
22	REC7®
26	Model 95™
30	Model 99™
34	.50 BMG Suppressor
36	BORS®
40	ZERO-GAP® Rings
42	ExRings®
44	Ammunition
46	Accessories
48	Training
52	Rifle Comparison Chart
54	Part Numbers
58	History



MRAD™



AT YOUR COMMAND.

Ready to follow your every move, the MRAD adapts to a variety of user needs without sacrificing performance. With unrelenting precision and unfailing accuracy, this bolt action newcomer has already defined a whole new class of long-range rifles.

MRAD™



▲ **The MRAD rifle's** user-changeable barrel system is just one example of this hardworking gun's modularity. The precision-grade barrel can be removed by simply unscrewing two bolts using a standard Torx wrench. Besides reducing maintenance and logistical burdens, this unique design paves the way for future caliber interchangeability and serviceability.

The MRAD also boasts Barrett's new easily accessed trigger module. This match-grade trigger is drop-fire-proof and combat-ready. The thumb-operated safety can be configured for left or right hand operation. The ambidextrous magazine release can be used intuitively while retaining a firing grip and cheek weld.

Integrated into the MRAD rifle's 7000 series aluminum upper receiver is an M1913 rail with 30 MOA taper and 21.75 inches of rail space. The configurable side and bottom rails can also hold a number of accessories.

The MRAD rifle's stock is foldable for enhanced portability yet locks in as solid as a fixed-stock rifle, creating a rigid platform for consistent firing. When folded, the stock latches around the bolt handle for added security during transport. Because the stock folds to the bolt handle side of the action, the rifle is the same width overall, folded or extended.

Made of a temperature-resistant polymer, the adjustable cheek piece also offers a consistent rifle-to-user contact point. The rifle's length of pull can be set to five different positions with the push of a single button.

From its quick-detach sling mounts to the Barrett Multi-Role Brown color of the rifle that blends into any environment—every detail of the MRAD has been carefully designed to create one thing: a high-performance rifle you can truly make your own.

CONFIGURATION

MRAD .338 Lapua Magnum Rifle System: 24.5" fluted barrel, Multi-Role Brown finish (mid-year 2011), folding stock, adjustable cheek piece and buttplate, two polymer 10-round magazines, two sling loops, three adjustable accessory rails, Pelican™ case and owner's manual.

Part No.

12604

FOLDING STOCK PROVIDES COMPACT MOBILITY



SPECIFICATIONS

- Model:** MRAD
- Caliber:** .338 Lapua Magnum
- Operation:** Bolt Action Repeater
- Weight:** 14.8 lbs (6.713 kg)
- Overall Length:** 46.9" (119.13 cm)
- Folded Length:** 39.9" (101.35 cm)
- Barrel Length:** 24.5" (62.23 cm)
- Rifling Twist:** 1 turn in 10" (25.4 cm)
- Magazine Capacity:** 10 Rounds

M107A1™



A WHOLE NEW LEGEND.

It may be related to the Model 82A1®/M107®, but the M107A1 is far from a simple evolution. Driven by the demands of combat, every component was re-engineered to be lighter yet stronger. The result? A high-performance rifle that weighs four pounds less than the original M107, but is every bit as tough.

M107A1™



▲ **Designed to be used with a suppressor**, this one-of-a-kind rifle allows you to combine signature reduction capabilities with the flawless reliability of the original Barrett® M107. An all-new bolt carrier group has been designed that is key to making the rifle suppressor-ready. Its titanium four-port muzzle brake is engineered to work seamlessly with a quick-attach Barrett .50 BMG Suppressor.

The lightweight aluminum upper receiver features an integrated, rigid 27 MOA optics rail. Inside the upper receiver, the bolt carrier rides on a hardened steel, anti-wear strip for added durability. A thermal-guard cheek piece protects the user's face from extreme heat or cold.

Advanced design and manufacturing make the M107A1 more precise than ever. The rear-barrel stop and front-barrel bushing are bolted and bonded with a compound similar to that used

on space shuttles. A titanium barrel key and fully chrome-lined bore and chamber add to the rifle's durability.

Enhanced modularity is also a key feature. The rifle's rail-mounted aluminum rear grip can easily be reconfigured. The newly designed titanium and polymer monopod is easily adjustable from either side.

The M107A1 rifle's lower receiver includes a new aluminum recoil buffer system that's optimized for use with a suppressor. The bolt carrier's components are protected with a mix of ultra-hard PVD coatings and advanced nickel Teflon® plating that increases lubricity, is corrosion-resistant and greatly eases cleaning.

Numbered witness holes on the magazine are just another example of how even the smallest detail makes a powerful difference.

CONFIGURATION

M107A1 Rifle System: 29" chrome-lined barrel, Flat Dark Earth finish (mid-year 2011), suppressor-ready muzzle brake, Pelican™ case, one 10-round magazine, flip-up iron sights, M1913 optics rail, detachable adjustable lightweight bipod legs, lightweight monopod, sling attach points and owner's manual.

Part No.

M107A1-SYS

SUPPRESSOR-READY



The M107A1 is ready to accept the Barrett .50 BMG Suppressor that is designed to work with the rifle's recoil-operated action. *For more on the Barrett .50 BMG Suppressor, see page 34.*

SPECIFICATIONS

Model:
M107A1

Caliber:
.50 BMG

Operation:
Semi-Automatic

Weight:
30.9 lbs (14 kg)

Overall Length:
57" (145 cm)

Barrel Length:
29" (73.7 cm)

Rifling Twist:
1 turn in 15" (38.1 cm)

Magazine Capacity:
10 Rounds

MODEL 82A1[®]

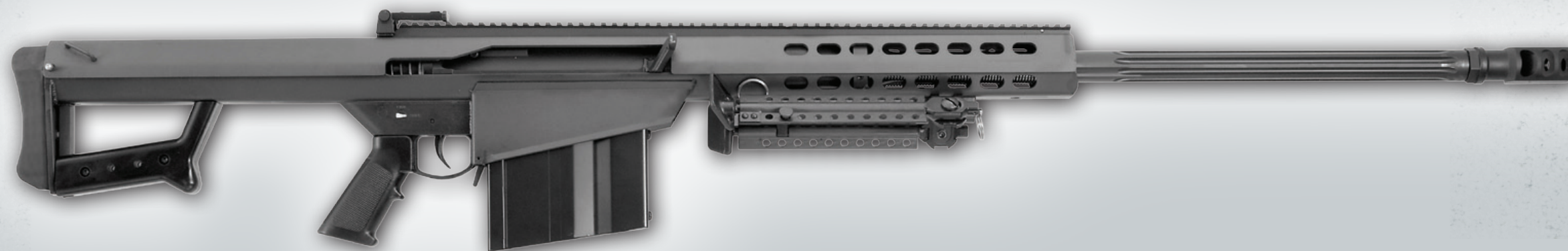
MODEL 82A1



FASTER WITH AGE.

After 25-plus years of making history, the powerhouse rifle that started it all is still leading the pack. With its low perceived recoil and self-loading action, the Model 82A1 offers rapid, accurate firepower that never slows down.

MODEL 82A1[®]



▲ **For more than two decades,** the Model 82A1 has been carefully honed, studied and then refined again. The result is a feat of engineering so impossibly precise, it's hard to believe it's man-made.

As the first and only semi-automatic .50 caliber rifle available, the Model 82A1 continues to blaze new territory. Its chamber is chrome-plated and dimensioned for both civilian and military ammunition. The extractor and ejector are proven to work under any condition, and close tolerances on every part allow it to function in all environments. The muzzle brake, dual barrel springs and long mainspring design make this iconic rifle comfortable and exciting to shoot.

The .416 Barrett caliber brings new levels of precision shooting to the Model 82A1.

With the enhanced accuracy and increased velocity of the .416 Barrett cartridge, this rifle offers incredible long-range precision. The Model 82A1 .416 is also available with a non-detachable magazine. The magazine can easily be accessed for loading with a simple tool.

The Model 82A1 fits into a regular sized carrying case. Although it's transported as a disassembled upper and lower receiver, it can be ready to fire in under a minute. The scope remains mounted on the upper receiver, maintaining scope zero. The rifle's M1913 optics rail has a 27 MOA taper to take full advantage of the scope's elevation travel.

Emergency iron sights provided. Nerves of steel are not.

CONFIGURATIONS

	Part No.
Model 82A1 .416 Barrett Rifle System: 29" chrome-lined barrel, Pelican™ case, one 10-round magazine, carry handle, flip-up iron sights, M1913 optics rail, detachable adjustable bipod legs, sling attach points, cleaning kit and owner's manual.	M82A1 416-SYS
Model 82A1 .416 Barrett Rifle System: 29" chrome-lined barrel, Pelican case, one 10-round non-detachable magazine, carry handle, flip-up iron sights, M1913 optics rail, detachable adjustable bipod legs, sling attach points, cleaning kit and owner's manual.	12353
Model 82A1 .50 BMG Rifle System: 29" barrel, Pelican case, one 10-round magazine, carry handle, flip-up iron sights, M1913 optics rail, detachable adjustable bipod legs, sling attach points, cleaning kit and owner's manual.	M82A1-SYS
Model 82A1 .50 BMG Rifle System: 29" barrel, Leupold® Mark 4 4.5-14x50, ZERO-GAP® Ultra High Rings, Pelican case, one 10-round magazine, carry handle, flip-up iron sights, M1913 optics rail, detachable adjustable bipod legs, monopod, sling attach points, cleaning kit and owner's manual.	M82A1-K1
Model 82A1 .50 BMG Rifle System: 20" barrel, Pelican case, one 10-round magazine, carry handle, flip-up iron sights, M1913 optics rail, detachable adjustable bipod legs, sling attach points, cleaning kit and owner's manual.	M82A1CQ-SYS
Model 82A1 .416 Barrett Rifle System: 29" chrome-lined barrel, BORS® with a Leupold Mark 4 4.5-14x50, ZERO-GAP Ultra High Rings, Pelican case, one 10-round magazine, carry handle, flip-up iron sights, M1913 optics rail, detachable adjustable bipod legs, monopod, sling attach points, cleaning kit and owner's manual.	12437
Model 82A1 .50 BMG Rifle System: 29" barrel, BORS with a Leupold Mark 4 4.5-14x50, ZERO-GAP Ultra High Rings, Pelican case, one 10-round magazine, carry handle, flip-up iron sights, M1913 optics rail, detachable adjustable bipod legs, monopod, sling attach points, cleaning kit and owner's manual.	12412

SPECIFICATIONS

Model:
Model 82A1,
Model 82A1 CQ or
Model 82A1 Non-Detachable
Magazine

Caliber:
.50 BMG or .416 Barrett

Operation:
Semi-Automatic

Weight:
30.9 lbs (14 kg),
29.7 lbs (13.5 kg) or
32.52 lbs (14.75 kg)

Overall Length:
57" (145 cm), 48" (122 cm)
or 55.75" (141.6 cm)

Barrel Length:
29" (73.7 cm)
or 20" (50.8 cm)

Rifling Twist:
1 turn in 15" (38.1 cm)
or 1 turn in 12" (30.5 cm)

Magazine Capacity:
10 Rounds

MODEL 98B[®]

MODEL 98B



THERE IS NO COMPETITION.

Carved from years of hard-earned insight, the Model 98B is entirely in a league of its own. Designed to adapt to a user's every need, this revolutionary precision rifle offers long-range performance that others can only dream of.

MODEL 98B®



▲ Even the casual observer

can see that the Model 98B is not a descendant of the bolt action sporting rifle. In fact, it's not a descendant of anything. This .338 Lapua Magnum rifle was developed to be a completely unique, purpose-built platform for precise long-range shooting.

Thanks to its modular layout, this rifle can be adapted to fit each user's exact needs. Its straight-line design, running from the muzzle to the shooter's shoulder, tames recoil. It also allows for faster, more accurate follow-up shots fed from the 10-round detachable magazine. The ergonomic pistol grip reduces muscle fatigue and provides total control over the fully adjustable trigger. An intuitive, thumb-operated safety can be accessed without compromising the firing grip. This

allows the shooter to maintain a solid weld to the adjustable cheek piece. The oversized bolt handle can be easily manipulated, feeding a fresh round into the chamber as the bolt silently glides through a polymer guide.

The Model 98B rifle's aluminum upper receiver boasts an 18-inch M1913 optics rail, offering plenty of space to mount substantial optics as well as a night vision device or other accessories. The forward receiver is drilled and tapped for accessory rails to be mounted at the 3, 6 and 9 o'clock positions.

This impressive long-range weapon isn't all work. Equipped with a rear monopod and forward bipod, it's also a pleasure to shoot. From its highly efficient muzzle brake to its shooter-adaptable design and unprecedented performance, the 98B is ingenuity in action.

CONFIGURATIONS

	Part No.
Model 98B .338 Lapua Magnum Rifle System: 27" fluted barrel, two 10-round magazines, Harris bipod, monopod, two sling loops, side accessory rail, Pelican™ case and owner's manual.	98001-SYS1
Model 98B .338 Lapua Magnum Kit: 27" fluted barrel, Leupold® Mark 4 4.5-14x50 mm with ZERO-GAP® Rings, two 10-round magazines, Harris bipod, monopod, two sling loops, side accessory rail, Pelican case, cleaning kit and owner's manual.	98001-K1
Model 98B .338 Lapua Magnum Rifle System: 20" barrel, two 10-round magazines, Harris bipod, monopod, two sling loops, side accessory rail, Pelican case and owner's manual.	98002-SYS1
Model 98B .338 Lapua Magnum Kit: 20" barrel, Leupold Mark 4 4.5-14x50 mm with ZERO-GAP Rings, two 10-round magazines, Harris bipod, monopod, two sling loops, side accessory rail, Pelican case, cleaning kit and owner's manual.	98002-K1

SPECIFICATIONS

- Model:**
Model 98B
- Caliber:**
.338 Lapua Magnum
- Operation:**
Bolt Action Repeater
- Weight:**
13.5 lbs (6.12 kg)
or 12.4 lbs (5.62 kg)
- Overall Length:**
49.75" (126.36 cm) or
43" (109.22 cm)
- Barrel Length:**
27" (68.58 cm) or
20" (50.8 cm)
- Rifling Twist:**
1 turn in 10" (25.4 cm)
- Magazine Capacity:**
10 Rounds

REC7[®]



ELIMINATE ALL DOUBT.

Compact, accurate and completely trustworthy, the REC7 is designed specifically for situations in which there's no room for error. Styled in the familiar AR configuration, it's a no-nonsense rifle you can trust with anything—including your life.

REC7®



▲ **This tough-as-nails rifle was** designed specifically to answer the call for a low-maintenance, enhanced reliability carbine.

The REC7 rifle's dependability stems largely from its innovative operating system. Using a minimum number of parts, the piston system separates heat and powder residue from the bolt carrier and trigger assembly. The rifle runs cool and clean, reducing maintenance requirements and increasing endurance.

The patented chrome-lined fluted gas block prevents excessive carbon buildup from operation under adverse conditions. The one-piece 17-4 stainless piston transfers energy to the anti-tilt bolt carrier. Machined from a monolithic block of 8620 steel, the carrier features an integral piston strike face.

The Barrett Enhanced Bolt is made from high-strength 9310 steel. The bolt is designed specifically for use in the piston operated REC7, not just adapted from a direct gas bolt.

The bolt's gas-ring-free design is easy to clean. Reinforced at critical areas, every bolt is proofed and magnetic-particle inspected to guarantee reliable performance.

At the heart of the operating system is a nitrided, two-position, forward-venting gas plug that retains the piston. The piston can be accessed through the front of the gas block without removing the handguard so optical sights or laser devices do not need to be zeroed after routine maintenance.

The REC7 rifle's forged 7075 aluminum upper and lower receivers are Type 3 hardcoat anodized. The lower houses an ultra-dependable single-stage trigger. The upper supports a free-floated, hammer-forged, chrome-lined barrel with M4 feed ramps machined into the receiver and the barrel extension. A mil-spec A2 flash hider protects the muzzle.

In 5.56 NATO and 6.8 SPC, the REC7 is everything you'd expect from a Barrett rifle, and then some.

CONFIGURATIONS

	Part No.
REC7 5.56 NATO Rifle: 16" Barrel, Omega X™ Rail.	12257
REC7 5.56 NATO PDW: 8" Barrel, Omega X Rail.	12358
REC7 5.56 NATO Rifle: Aimpoint® Micro T-1, 16" Barrel, Omega X Rail.	12495
REC7 5.56 NATO Rifle: Aimpoint CompM4, 16" Barrel, Omega X Rail.	12497
REC7 5.56 NATO PDW Rifle: Aimpoint Micro T-1, 8" Barrel, Omega X Rail.	12232
REC7 6.8 SPC Rifle: 16" Barrel, Omega X Rail.	12256
REC7 6.8 SPC PDW: 8" Barrel, Omega X Rail.	12355
REC7 6.8 SPC Rifle: Aimpoint Micro T-1, 16" Barrel, Omega X Rail.	12494
REC7 6.8 SPC Rifle: Aimpoint CompM4, 16" Barrel, Omega X Rail.	12496
REC7 6.8 SPC PDW Rifle: Aimpoint Micro T-1, 8" Barrel, Omega X Rail.	12695
REC7 5.56 NATO Fixed Stock Rifle: 16" Target Crown Barrel, Omega X Rail.*	12455
REC7 6.8 SPC Fixed Stock Rifle: 16" Target Crown Barrel, Omega X Rail.*	12702

All REC7 configurations include: 17-4 stainless piston system, two-position nitride gas plug, chrome-lined gas block, six-position MOE stock, A2 style flash hider, two 30-round magazines, three panel covers, tactical soft case.

*Fixed stock rifles do not include A2 style flash hider.

See page 55 for list of REC7 upper receivers.

SPECIFICATIONS

Model:
REC7

Caliber:
5.56 NATO or 6.8 SPC

Operation:
Gas Piston Operated

Weight:
7.62 lbs. (3.5kg) or
6.05 lbs (2.74 kg)

Overall Length:
33.25" (82.3 cm) or
25.625" (65.09 cm)

Barrel Length:
16" (40.6 cm) or
8" (20.3 cm)

Rifling Twist:
1 turn in 10" or 1 turn in 7"

Magazine Capacity:
10 Rounds or 30 Rounds

MODEL 95™

MODEL 95



FULLY LOADED.

The Model 95 may weigh in at a smaller class, but packed into its convenient bullpup design are the intense power of a magazine-fed weapon, the pinpoint accuracy of a bolt action rifle and the effortless functionality of a perfectly designed machine.

MODEL 95™



▲ **This compact rifle** offers the velocity and accuracy of a 29-inch barrel in a shortened overall length of just 45 inches. Adopted for military use, the Model 95 is made for those who refuse to sacrifice accuracy for power.

Its buttplate, magazine well and trigger housing are unitized, helping to stiffen the steel lower receiver. The steel upper receiver is reinforced with an M1913 optics rail and supports the chrome-chambered, fluted barrel. The two can be assembled in less than 60 seconds without the use of tools.

The bolt carrier itself is a study in innovation. Designed for speed, reliability and safety,

it slides effortlessly on machined-smooth parallel rails, transporting a large bolt that locks into the barrel extension on three lugs. The firing pin is driven by dual firing pin springs designed for consistency and lightning-quick lock time.

The only thing more impressive than the Model 95 rifle's performance is the comfort with which it can be used. The ergonomically designed rifle rests on a lightweight front bipod and an optional adjustable rear monopod. This careful attention to usability allows the shooter to quickly and accurately fire five rounds, reload with a fresh magazine and get back on target in seconds.

CONFIGURATIONS

Model 95 .50 BMG Rifle System: 29" barrel, one 5-round magazine, sling attach points, Pelican™ case, M1913 optics rail, detachable adjustable bipod legs, cleaning kit and owner's manual.

Model 95 .50 BMG Rifle System: 29" barrel, BORS® with a Leupold® Mark 4 4.5-14x50, ZERO-GAP® Ultra High Rings, one 120-round case of XM33 in new Barrett ammo can, one 5-round magazine, sling attach points, Pelican case, M1913 optics rail, detachable adjustable bipod legs, cleaning kit and owner's manual.

Part No.

M95-SYS

12181

SPECIFICATIONS

Model:
Model 95 Rifle System

Caliber:
.50 BMG

Operation:
Bolt Action Repeater

Weight:
23.5 lbs (10.7 kg)

Overall Length:
45" (114.3 cm)

Barrel Length:
29" (73.6 cm)

Rifling Twist:
1 turn in 15" (38.1 cm)

Magazine Capacity:
5 Rounds

MODEL 99™

MODEL 99



POWER, PURE AND SIMPLE.

Rugged. Reliable. Uncomplicated. The Model 99 is designed for one thing only: to get the job done. With its brilliantly simple design, hard-core construction and surprisingly few moving parts, it offers match-winning accuracy time and time again.

MODEL 99™



▲ At the heart of this robust

and accurate bolt action rifle is a one-piece 7000 series aluminum alloy extrusion. A heat-treated steel M1913 optics rail is attached to the top of the extrusion by closely spaced high-strength bolts. The match-toleranced barrel is pressed and locked into the receiver, creating a rock-solid unitized structure on which to mount a riflescope. The Model 99 barrel is made in a heavier contour to ensure repeatable accuracy. The chamber area is encased by the thick-walled aluminum extrusion of the receiver, resulting in unparalleled safety for the shooter.

The bolt is machined from a single piece of shock-resistant tool steel. The action's strength is exemplified by the 15 bolt lugs

that lock into the machined barrel extension. The bolt's few moving parts, an extractor, ejector and firing pin assembly, make it reliable and easy to maintain.

The Model 99 is easily disassembled without tools by removing three quick-release assembly pins. These pins attach the trigger housing and bolt guide to the receiver assembly. The match-quality trigger design is exclusive to Barrett and virtually maintenance-free. The bipod can easily be detached for benchrest shooting.

Known as much for its dependability as its versatility, the Model 99 combines smooth functionality with dead-on accuracy, shot after shot.

CONFIGURATIONS

	Part No.
Model 99 .416 Barrett Rifle System: 32" barrel, M1913 optics rail, Pelican™ case, detachable adjustable bipod, cleaning kit and owner's manual.	M99 416-SYS
Model 99 .416 Barrett Rifle System: 32" barrel, Bushnell® Elite® 3200 10x scope, ZERO-GAP® Ultra High Rings, M1913 optics rail, Pelican case, detachable adjustable bipod, cleaning kit and owner's manual.	M99 416-K1
Model 99 .50 BMG Barrett Rifle System: 32" barrel, M1913 optics rail, Pelican case, detachable adjustable bipod, cleaning kit and owner's manual.	M99A1-1-SYS
Model 99 .50 BMG Barrett Rifle System: 29" fluted barrel, M1913 optics rail, Pelican case, detachable adjustable bipod, cleaning kit and owner's manual.	M99A1-SYS
Model 99 .50 BMG Barrett Rifle System: 32" barrel, Bushnell Elite 3200 10x scope, ZERO-GAP Ultra High Rings, M1913 optics rail, Pelican case, detachable adjustable bipod, cleaning kit and owner's manual.	M99A1-K1
Model 99 .50 BMG Barrett Rifle System: 29" fluted barrel, Bushnell Elite 3200 10x scope, ZERO-GAP Ultra High Rings, M1913 optics rail, Pelican case, detachable adjustable bipod, cleaning kit and owner's manual.	M99A1-K2

SPECIFICATIONS

Model:
Model 99 Rifle System

Caliber:
.50 BMG or .416 Barrett

Operation:
Bolt Action

Weight:
25 lbs (11.4 kg) or
23 lbs (10.4 kg)

Overall Length:
50" (127 cm) or 47" (119 cm)

Barrel Length:
32" (81.3 cm) or
29" (73.7 cm)

Rifling Twist:
1 turn in 15" (38.1 cm) or
1 turn in 12" (30.5 cm)

Magazine Capacity:
Single Shot

SUPPRESSOR

SUPPRESSOR

ARRIVING SOON.

Eliminate sound signature, not reliability, by using a suppressor designed to work with your Barrett M107A1™. Once you witness the Barrett .50 BMG Suppressor in action, you'll know it was worth the wait. Scheduled to hit the scene in 2011, this perfectly engineered marvel includes a key element no other suppressor has ever incorporated: its own two-port muzzle brake, which reduces the recoil of suppressed fire. When minimal visible signature is required, the threaded muzzle brake can be removed easily.

The suppressor itself is also surprisingly easy to attach. It simply slides over the suppressor-ready muzzle brake, which guides it straight to the indexing point and guarantees proper alignment every time. Once the suppressor is in place, Barrett's unique lock-ring coupler clicks into ratchet grooves for a secure fit that nothing can shake. In fact, the entire system is designed to ensure perfect consistency with every installation.

▲ **Suppressor-Ready Kit:** This convenient kit provides everything you need to mount a Barrett .50 BMG Suppressor on a Model 82A1®.

BORS[®]

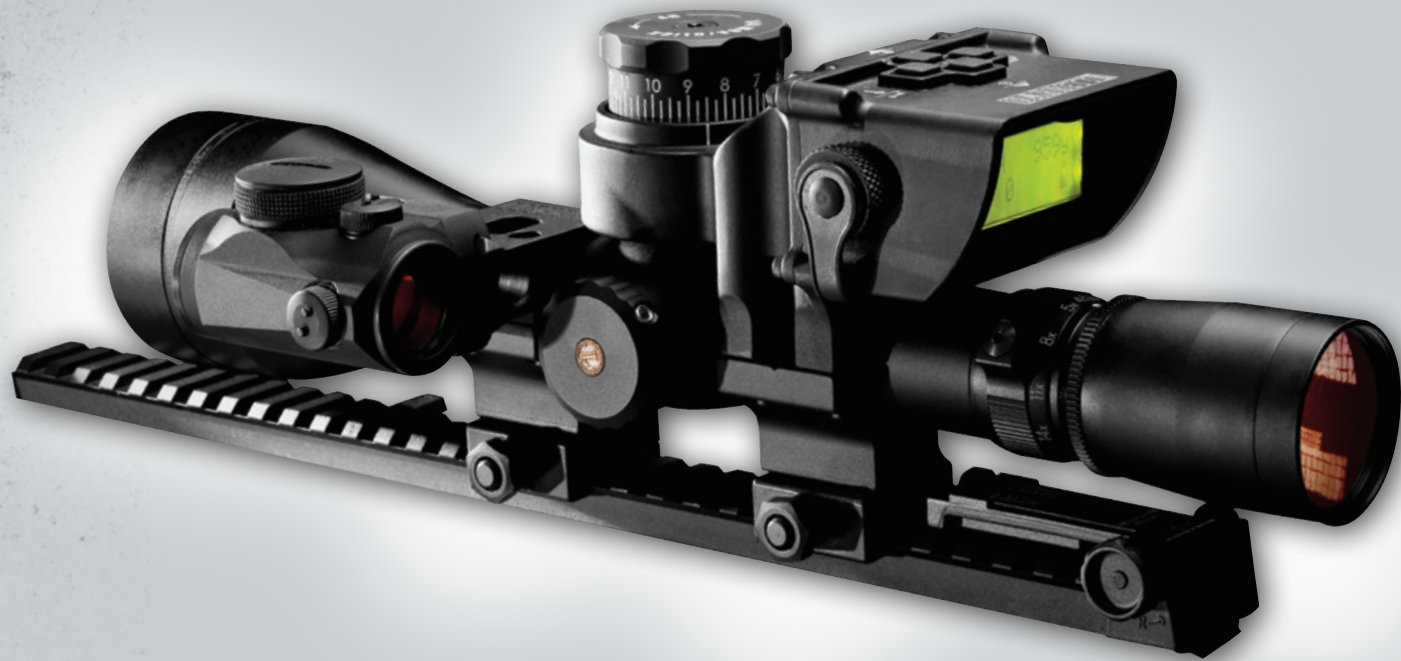
BORS

LEAVE NOTHING TO CHANCE.

This constantly adapting ballistics computer puts science at your fingertips. From environmental factors to the angle of your rifle, BORS instantly takes care of the data work so you can focus on the task of putting lead on target.



BORS®



▲ **The Barrett Optical Ranging System (BORS)** is an integrated ballistics computer that mounts directly on the riflescope and couples to the elevation knob. Drawing from thousands of tables and taking into account a number of real-time external factors, it automatically gives the shooter the exact yardage at which a bullet will hit. In other words, it's like having an army of ballisticians behind every shot.

Once the distance to the target has been estimated, the computer can be put into action by simply turning the elevation knob until the LCD displays the target's range.

Three internal sensors automatically calculate the ballistic solution. BORS compensates for temperature, change in barometric pressure and aiming at an upward or downward angle. BORS even determines if the rifle is canted.

The BORS kit includes the proprietary Barrett Ballistic PC Software that's pre-programmed with a library selected by Barrett. It also includes a BORS data cable that allows the user to program custom loads on a personal computer and transfer them directly to BORS.

Designed primarily to withstand military operations, BORS is rugged and able to operate with a variety of calibers and rifles.

CONFIGURATIONS

	Part No.
BORS for Schmidt & Bender 3-12x50 mm Police Marksman II, 0.1 MRAD adjust.: This model fits the Schmidt & Bender 3-12x50 mm Police Marksman II Illuminated. Scope not included. Barrett rings are required.	66972
BORS for Schmidt & Bender 5-25x56 mm Police Marksman II, 0.1 MRAD adjust.: This model fits the Schmidt & Bender 5-25x56 mm Police Marksman II Illuminated. Scope not included. Barrett rings are required.	66970
BORS for Nightforce™ 3.5-15x50 mm: This model fits the Nightforce 3.5-15x NXS. Scope not included. Barrett rings are required.	66981
BORS for Nightforce 5.5-22x50 mm and 56 mm: This model fits the Nightforce 5.5-22x NXS. Scope not included. Barrett rings are required.	66979
BORS for Nightforce 8-32x56 mm: This model fits the Nightforce 8-32x56 mm NXS. Scope not included. Barrett rings are required.	66971
BORS with Leupold® Mark 4 4.5-14x50 mm, includes ZERO-GAP® Ultra High Rings: This model includes Leupold Mark 4 4.5-14x50 mm LR/T M1 with Mil Dot reticle and ZERO-GAP® Ultra High Rings.	66000-7WS
BORS for Leupold Mark 4 M1 Scopes: This model fits Leupold Mark 4 scopes with M1 dials. Barrett rings are required.	66000-8SYS

All BORS systems include Ballistic Software CD, interface cable, battery and mounting tools.

SPECIFICATIONS

Weight:*
13 oz (370 g)

Height Above Centerline of Scope:
2.49" (6.32 cm)

Width:
3.25" (8.26 cm)

Display:
2 lines, 12 character LCD

Operating Temperatures:
-4° F thru 158° F
(-20° C thru 70° C)

Operating Altitude:
-1,000 thru 20,000 ft
(-300 thru 6,100 m)

Tilt Range:
-90° thru 90°
(2-degree resolution)

Battery:
CR-123

Battery Life
40 hour minimum

Buttons:
4 button

* Weight does not include rings.

ZERO-GAP® RINGS

▲ These high-tech scope rings

give you the perfect interface between your scope and rifle with Barrett's ZERO-GAP technology. Manufactured from 7075 aluminum alloy, they grip tight even under the heaviest recoil without adding unwanted weight.

Barrett's exclusive ZERO-GAP technology also allows you to avoid the usual challenges that other optics-mounting systems present. With traditional rings, attention must be given to maintaining an equal gap between the lower ring and the ring cap. The scope may potentially rotate out of perfect alignment

while the cap screws are being torqued. Barrett's scope-clamping ZERO-GAP design allows you to simply tighten the cap on the indicated side until there is no gap between the lower ring and ring cap, check for perfect reticle alignment, tighten the other side and fire away.

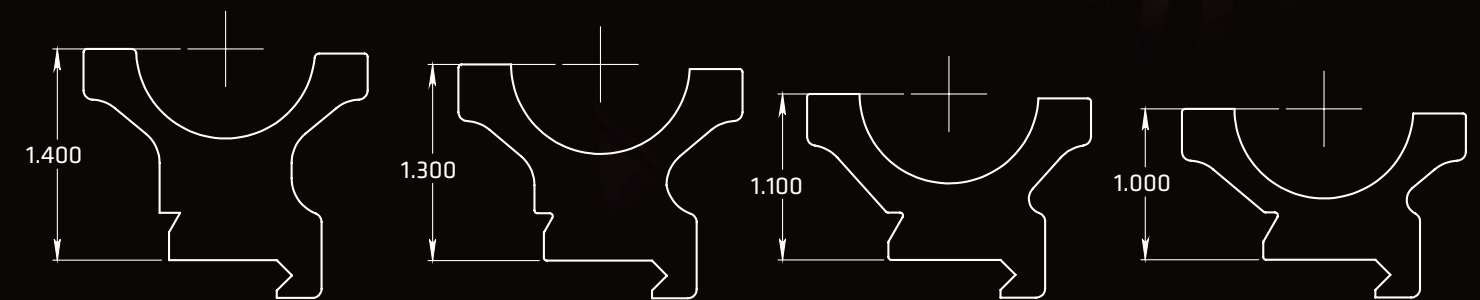
ZERO-GAP Rings are available in 30 mm and 34 mm and a variety of heights, offering the perfect fit for everything from a low-mounted, action-hugging scope on a hunting rifle to a high-mounted, large-objective optic on a tactical rifle.

30 mm Accessory Ring Cap: Expand the possibilities by simply replacing your ring cap with the Barrett Accessory Cap that offers 1.77 inches of rail space for a red dot sight, a laser designator or a number of other accessories. (Fits Barrett 30 mm ExRings® and ZERO-GAP Rings.)

	Height	Width	Weight	Part No.
30 mm ZERO-GAP Rings Low	1.0" (2.54 cm)	1.2" (3.05 cm)	8.32 oz (235.9 g)	66860-A-KIT
30 mm ZERO-GAP Rings Medium	1.1" (2.8 cm)	1.2" (3.05 cm)	8.32 oz (235.9 g)	66861-A-KIT
30 mm ZERO-GAP Rings High	1.3" (3.3 cm)	1.2" (3.05 cm)	8.32 oz (235.9 g)	66862-A-KIT
30 mm ZERO-GAP Rings Ultra High	1.4" (3.56 cm)	1.2" (3.05 cm)	8.32 oz (235.9 g)	66830-A-KIT
34 mm ZERO-GAP Rings Medium	1.1" (2.8 cm)	1.2" (3.05 cm)	8.45 oz (239.6 g)	66868
34 mm ZERO-GAP Rings Ultra High	1.4" (3.56 cm)	1.2" (3.05 cm)	8.45 oz (239.6 g)	66869
30 mm Accessory Ring Cap	M1913 Rail Length 1.77"	1.2" (3.05 cm)	1.45 oz (41.1 g)	66821



▲ A RING FOR EVERY APPLICATION



ULTRA HIGH

Up to **56 mm** Objective
With Lens Cover and
Extended Scope Rail

HIGH

Up to **50 mm** Objective
With Lens Cover and
Extended Scope Rail

MEDIUM

Up to **40 mm** Objective
With Lens Cover and
Extended Scope Rail

LOW

For Smaller-Caliber Rifles
and 6" to 7" Scope Rails

ExRings®

▲ **Long-range shooters** often encounter a common problem: Certain scope/rifle combinations don't offer enough "up" elevation adjustment in their scopes to allow the shooter to hit targets at the maximum range of their rifle systems.

Barrett ExRings with Pin-Lock® Technology make this issue a thing of the past.

With dual MOA settings, ExRings allow maximum use of the riflescope's precise internal elevation adjustment by aligning the scope for long-range shooting. The front ring has a precision-fit pivot feature that allows the rear of the scope to be elevated at the rear ring with no chance of unwanted movement. The rear ring houses the Barrett Pin-Lock Technology that allows you to select from two elevation settings by simply changing the location of a single pin.

Once an elevation setting is selected and the ring's cross bolts are torqued to specification, Barrett ExRings become a rock-solid mount with the perfect MOA elevation for your particular long-range rifle setup. Barrett rings are made from high-strength 7075 T6 aluminum for long-term durability.

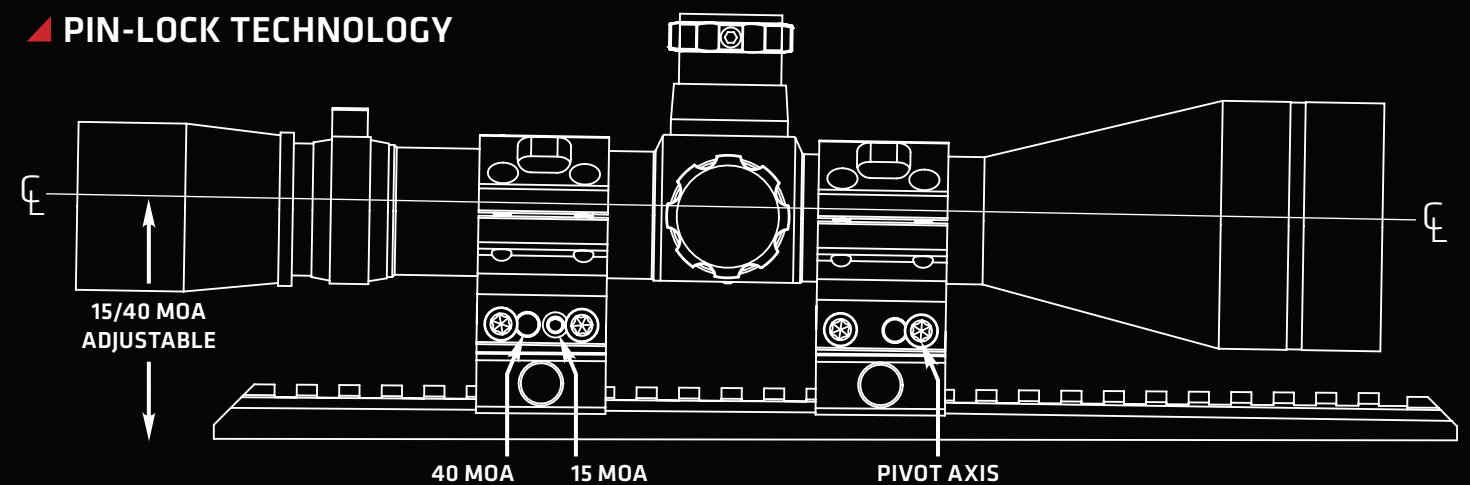
Last, but not least, ExRings also incorporate Barrett's ZERO-GAP® Technology to give you 360 degrees of heavy-duty holding power under even the harshest recoil.

ExRings work on flat and tapered M1913 optics rails with riflescopes having up to a 70 mm objective lens. Adjust between 15 MOA and 40 MOA or 20 MOA and 30 MOA taper. Available in 30 mm and 34 mm.

	Height	Width	Weight	Part No.
30 mm ExRings 15/40 MOA (Dual MOA Setting)	1.6" (4.1 cm)	1.2" (3.05 cm)	8.32 oz (235.9 g)	66850-A-KIT
30 mm ExRings 20/30 MOA (Dual MOA Setting)	1.6" (4.1 cm)	1.2" (3.05 cm)	8.32 oz (235.9 g)	66858-A-KIT
34 mm ExRings 20/30 MOA (Dual MOA Setting)	1.7" (4.32 cm)	1.2" (3.05 cm)	8.45 oz (239.6 g)	66870



▲ PIN-LOCK TECHNOLOGY



AMMUNITION

▲ Perfection is mandatory.

Barrett is known for making the best large-caliber rifles in the field. Naturally, we expect the same level of performance from the ammunition that goes into them. Which is why all our ammunition is put through a series of rigorous tests and quality checks before a single cartridge is allowed to leave the premises.

Besides being inspected for accuracy and velocity, each lot of ammunition is physically inspected. We check the individual weights of the projectiles, cases and powder charges to ensure consistent results. Projectiles are inspected for uniformity and runout as well as jacket thickness, and cases are inspected for dimensional acceptance. We even check the hardness of the brass itself.

The result? Ammunition that consistently lives up to the highest standards of all: Yours.

.50 BMG M33 Ball

Our .50 BMG ammunition is ready for action. Encased in Barrett head-stamped brass, every cartridge is loaded with noncorrosive powder and primers as well as a 661 gr projectile using state-of-the-art machinery. Ammunition is sold in 80-round cases.

Caliber	.50 BMG
Case Size	80 rounds
Overall Length	5.450"
Muzzle Velocity	2,750 fps
Bullet/Weight	661 gr
Ballistic Coefficient	0.62 (G1)

.416 Barrett

Why should the .50 BMG get all the glory? Our .416 Barrett ammunition is just as ferocious. Loaded with the Hornady® 450 gr BTHP, this match-grade bullet leaves the muzzle at 3,050 feet per second and remains supersonic up to 2,000 yards. Each box includes 10 rounds.

Caliber	.416 Barrett
Case Size	10-round box or 100-round case
Overall Length	4.540"
Muzzle Velocity	3,050 fps, 32" barrel
Bullet/Weight	Hornady 450 gr BTHP
Ballistic Coefficient	0.72 (G1), 0.38 (G7)

6.8 SPC

Fire away. Optimized for autoloading rifles, Barrett's 6.8 SPC ammunition is loaded with the Hornady 110 gr BTHP/WC and flies from the muzzle at 2,550 feet per second. Each box includes 30 rounds.

Caliber	6.8 SPC
Case Size	30-round box
Overall Length	2.250"
Muzzle Velocity	2,550 fps
Bullet/Weight	Hornady 110 gr BTHP/WC
Ballistic Coefficient	0.36 (G1)



ACCESSORIES

▲ Enhance the experience.

The awe-inducing precision of a perfectly crafted machine. The rush of heavy-duty firepower roaring from your hands. The pride of laying claim to a piece of history. When it comes to large-caliber rifles, there's nothing like owning (and firing) a Barrett.

Owning the gun, however, is just the beginning. Whether they're making it easier to transport your rifle or helping it perform at its best, our accessories are designed to make your Barrett experience all that much better.

Shop online at barrett.net.



TRAINING



LEARN FROM THE LEADER.

Whether you want to get the most out of your performance or the performance of your Barrett products, training is everything. Especially when that training comes from the minds behind those products. Learn the intricacies of long-range shooting, how to maintain your Barrett rifle at an armorer level and how to use your BORS® system to its fullest. Knowledge is power and Barrett's training department is ready to take you to the next level.

TRAINING COURSES

ARMORER/MAINTENANCE COURSES

Designed for professional armorers and technicians, these courses provide the knowledge you need to keep Barrett rifles in top condition. Whether you work on guns for a living or just want to know more about Barrett rifles, these are the courses for you. Regularly scheduled armorer courses are held at the Barrett headquarters in Murfreesboro, Tennessee. Barrett can also be contracted to hold these courses at your facility.

MODEL 82A1®/M107® ARMORER

This two-day premier armorer course is designed to give students a thorough understanding of the Model 82A1/M107 series of rifles. The class covers everything it takes to keep these guns in top condition, including disassembly/reassembly, cleaning, maintenance and gauging.

BOLT GUN ARMORER

Much like the Model 82A1/M107 Armorer course, this class is designed to give students in-depth knowledge of Barrett's bolt-action rifles, including the Model 99™, Model 95™ and Model 98B®. The one-day course covers all the information necessary for armorers and gunsmiths to keep these guns firing smoothly.

BORS® INSTALLER/PROGRAMMER

This one-day course gives students a detailed look at the Barrett Optical Ranging System (BORS). Learn how to install units, mount scopes and create custom cartridge tables as well as tips and tricks for getting the most out of your BORS.

▲ Contact

For more information about any of our courses, course schedules or to sign up for a scheduled class, visit barrett.net. For information about contracting Barrett to hold a course at your facility or about custom courses, contact Barrett Training at training@barrett.net.

SHOOTING INSTRUCTION

Long-range shooting is not a skill that can be picked up overnight. Our shooting instruction courses are perfect for any Barrett long-range rifle system and will give you a jump start on learning this complicated craft. Examples of course topics include wind-calling techniques, external ballistics and marksmanship fundamentals. Shooting courses are conducted at the NRA Whittington Center in Raton, New Mexico, or the U.S. Training Center in Moyock, North Carolina.

LONG RANGE 1 / LONG RANGE 2

These premier, three-day shooting courses teach the fundamentals of long-range shooting. Long Range 1 concentrates on known-distance shooting on the 1,000-yard, high-power range. Long Range 2 introduces students to the challenging world of unknown distance shooting at an extended range. Tuition includes ammunition as well as breakfast and lunch each day of class. Rental rifles are available. Long Range 1 is conducted at the NRA Whittington Center in Raton, New Mexico, and the U.S. Training Center in Moyock, North Carolina. Long Range 2 is taught exclusively at the NRA Whittington Center.

M107® OPERATOR'S COURSE

New for 2011, this course is designed for small military units that want to make the most out of the M107 rifles assigned to their team. Topics include subjects like advanced individual rifle maintenance and how to employ the M107 at extended ranges in a rural environment. This six-day course is held exclusively at the NRA Whittington Center on their 33,000-acre property in northern New Mexico at the base of the Sangre de Cristo Mountains.

INTERNATIONAL COURSES

Our training department specializes in custom international courses. We can mix and match any of the above courses to tailor a program specifically to your needs. Barrett offers this service in support of new sales as well as for continuing education on past orders. To schedule a course for your country, contact Barrett Training at training@barrett.net.

Please note: In accordance with International Traffic in Arms Regulations (ITAR), Barrett conducts international courses only after receiving approval from the U.S. State Department, whether the training takes place internationally or domestically. International training is offered only to official organizations such as police and government militaries.

CUSTOM COURSES

Whether you'd like to offer an armorer course at your facility or want to book an entire shooting course for your unit, Barrett can provide any instruction you need, anywhere in the world. Just let us know what you have in mind and we'll make it happen.

RIFLE COMPARISON CHART

	MRAD™	M107A1™	MODEL 82A1®	MODEL 82A1® CQ	MODEL 95™
OPERATION	Bolt Action Repeater	Semi-Automatic	Semi-Automatic	Semi-Automatic	Bolt Action Repeater
CALIBER	.338 Lapua Magnum	.50 BMG	.50 BMG, .416 Barrett	.50 BMG	.50 BMG
FINISH/COLOR	Multi-Role Brown	Flat Dark Earth	Black	Black	Black
WEIGHT	14.8 lbs (6.713 kg)	30.9 lbs (14 kg)	30.9 lbs (14 kg)	29.7 lbs (13.5 kg)	23.5 lbs (10.7 kg)
OVERALL LENGTH	46.9" (119.13 cm)	57" (145 cm)	57" (145 cm)	48" (122 cm)	45" (114.3 cm)
COLLAPSED LENGTH	39.9" (101.35 cm) Folded	NA	NA	NA	NA
BARREL LENGTH	24.5" (62.23 cm)	29" (73.7 cm)	29" (73.7 cm)	20" (50.8 cm)	29" (73.7 cm)
BARREL TWIST	1 turn in 10"	1 turn in 15"	1 turn in 15" (.50 BMG) 1 turn in 12" (.416 Barrett)	1 turn in 15"	1 turn in 15"
BARREL PROFILE	Fluted	Fluted	Fluted	Fluted	Fluted
BARREL MATERIAL	MIL-B-11595E Chrome-Moly-Vanadium with Nitride Treatment	MIL-B-11595E Steel, Chrome-Lined Bore & Chamber	MIL-B-11595E Steel, Chrome-Lined Chamber (.50 BMG) Steel, Chrome-Lined Bore & Chamber (.416 Barrett)	MIL-B-11595E Steel, Chrome-Lined Bore & Chamber	MIL-B-11595E Steel, Chrome-Lined Chamber
BARREL ATTACHMENT METHOD	Dual Cross Bolts	NA	NA	NA	Dual Bolts with Barrel Nut
STOCK	High-Strength Aluminum Construction, Foldable and Collapsible	Sheet Metal Lower, Lightweight Aluminum Upper Receiver	Sheet Metal Weldment Lower and Upper Receiver	Sheet Metal Weldment Lower and Upper Receiver	Sheet Metal Lower and Upper
LENGTH OF PULL	Adjustable	Fixed	Fixed	Fixed	Fixed
GRIP	Polymer Pistol Grip	Polymer Pistol Grip	Polymer Pistol Grip	Polymer Pistol Grip	Polymer Pistol Grip
ADJUSTABLE TRIGGER	Adjustable	No	No	No	No
TRIGGER WEIGHT	Adjustable up to 3 lbs	7-9 lbs	7-9 lbs	7-9 lbs	5-7 lbs
SAFETY	Manual Reversible, Thumb Lever	Manual Thumb Lever	Manual Thumb Lever	Manual Thumb Lever	Manual Thumb Lever
MUZZLE BRAKE	2-Port	Titanium 4-Port, Suppressor-Ready	2-Port (.50 BMG) 3-Port (.416 Barrett)	2-Port	3-Port
SUPPRESSOR-CAPABLE	Yes	Yes	Requires Modification	Requires Modification	No
CHEEK PIECE	Adjustable, Polymer	Polymer	NA	NA	NA
MAGAZINE CAPACITY	10 Rounds	10 Rounds	10 Rounds	10 Rounds	5 Rounds
MAGAZINE MATERIAL	Polymer	1018 Cold-Rolled Steel with Titanium Teflon® Coating	1018 Cold-Rolled Steel with Titanium Teflon Coating	1018 Cold-Rolled Steel with Titanium Teflon Coating	1018 Cold-Rolled Steel with Titanium Teflon Coating
MAGAZINE RELEASE	Ambidextrous	Ambidextrous	Ambidextrous	Ambidextrous	Ambidextrous
SCOPE RAIL	21.75" (55.24 cm)	24" (60.96 cm)	18.125" (46.0375 cm)	18.125" (46.0375 cm)	11.25" (28.575 cm)
SCOPE RAIL TAPER	30 MOA	27 MOA	27 MOA	27 MOA	Flat
ACCESSORIES	Pelican™ Case, 2 Magazines	Pelican Case, 1 Magazine	Pelican Case, 1 Magazine, Cleaning Kit	Pelican Case, 1 Magazine, Cleaning Kit	Pelican Case, 1 Magazine, Cleaning Kit
SIGHTS	No	Flip-Up Iron Sights	Flip-Up Iron Sights	Flip-Up Iron Sights	No
BIPOD	Not Included	Included	Included	Included	Included
MONOPOD	Not Included	Available	Available	Available	Available
WARRANTY	1 Year	1 Year	1 Year	1 Year	1 Year

MODEL 99™	MODEL 99™	MODEL 98B®	MODEL 98B®	REC7®	REC7® PDW
Bolt Action	Bolt Action	Bolt Action Repeater	Bolt Action Repeater	Semi-Automatic	Semi-Automatic
.50 BMG, .416 Barrett	.50 BMG	.338 Lapua Magnum	.338 Lapua Magnum	5.56 NATO, 6.8 SPC	5.56 NATO, 6.8 SPC
Black	Black	Black	Black	Black, Type II Hardcoat Anodize	Black, Type II Hardcoat Anodize
25 lbs (11.4 kg)	23 lbs (10.4 kg)	13.5 lbs (6.12 kg)	12.4 lbs (5.62 kg)	7.62 lbs (3.5 kg)	6.05 lbs (2.74 kg)
50" (127 cm)	47" (119 cm)	49.75" (126.36 cm)	43" (109.22 cm)	37.38" Extended (94.945 cm)	28.63" Extended (72.720 cm)
NA	NA	NA	NA	33.25" (82.3 cm)	25.625" (65.09 cm)
32" (81.3 cm)	29" (73.7 cm)	27" (68.58 cm)	20" (50.8 cm)	16" (40.6 cm)	8" (20.3 cm)
1 turn in 15" (.50 BMG) 1 turn in 12" (.416 Barrett)	1 turn in 15"	1 turn in 10"	1 turn in 10"	1 turn in 10"	1 turn in 7"
Heavy Barrel	Fluted	Fluted	Heavy Barrel	SOCOM Profile	Barrett PDW Profile
MIL-B-11595E Steel (.50 BMG), MIL-B-11595E Steel, Chrome-Lined Bore (.416 Barrett)	MIL-B-11595E Steel	MIL-B-11595E Steel	MIL-B-11595E Steel	Hammer Forged, Chrome-Lined	Hammer Forged, Chrome-Lined
Press Fit with Barrel Nut	Press Fit with Barrel Nut	Barrel Nut	Barrel Nut	Barrel Nut	Barrel Nut
Aluminum Upper Extrusion	Aluminum Upper Extrusion	High-Strength, Lightweight Aluminum Receiver	High-Strength, Lightweight Aluminum Receiver	Magpul® M.O.E.® 6-Position Stock or Fixed Stock	Magpul M.O.E. 6-Position Stock
Fixed	Fixed	Fixed	Fixed	Adjustable	Adjustable
Polymer Pistol Grip	Polymer Pistol Grip	Polymer Pistol Grip	Polymer Pistol Grip	Polymer Pistol Grip	Polymer Pistol Grip
No	No	Adjustable	Adjustable	No	No
5-7 lbs	5-7 lbs	2.5 lbs	2.5 lbs	7 lbs	7 lbs
Manual Thumb Lever	Manual Thumb Lever	Manual Reversible, Thumb Lever	Manual Reversible, Thumb Lever	Manual Thumb Lever	Manual Thumb Lever
3-Port	3-Port	2-Port	2-Port	A2 Style or Target Crown Barrel	A2 Style
No	No	Yes	Yes	Yes	Yes
NA	NA	Adjustable, Polymer	Adjustable, Polymer	NA	NA
NA	NA	10 Rounds	10 Rounds	30 Rounds	30 Rounds
NA	NA	Polymer	Polymer	High Carbon Steel or Polymer	High Carbon Steel or Polymer
Ambidextrous	Ambidextrous	Ambidextrous	Ambidextrous	Ambidextrous	Ambidextrous
13.75" (34.925 cm)	13.75" (34.925 cm)	18.125" (46.0375 cm)	18.125" (46.0375 cm)	16.5" (41.91 cm)	13" (33.02 cm)
27 MOA	27 MOA	Flat	Flat	Flat	Flat
Pelican Case, Cleaning Kit	Pelican Case, Cleaning Kit	Pelican Case, 2 Magazines, Accessory Rail, Sling Swivels	Pelican Case, 2 Magazines, Accessory Rail, Sling Swivels	Soft Case, 2 Magazines, 3 Panel Covers	Soft Case, 2 Magazines, 3 Panel Covers
No	No	No	No	No	No
Included	Included	Included	Included	No	No
Available	Available	Included	Included	No	No
1 Year	1 Year	1 Year	1 Year	1 Year	1 Year

RIFLE SYSTEMS & KITS

	Part No.
MRAD™	
MRAD .338 Lapua Magnum Rifle System: 24.5" Barrel, Multi-Role Brown (Mid-Year 2011)	12604
M107A1™	
M107A1 Rifle System: 29" Barrel, Flat Dark Earth (Mid-Year 2011)	M107A1-SYS
Model 82A1® Semi-Automatic	
Model 82A1 .416 Barrett Rifle System: 29" Barrel	M82A1 416-SYS
Model 82A1 .416 Barrett Rifle System: Non-Detachable Magazine, 29" Barrel	12353
Model 82A1 .50 BMG Rifle System: 29" Barrel	M82A1-SYS
Model 82A1 .50 BMG Kit: 29" Barrel, Leupold® Scope	M82A1-K1
Model 82A1 CQ .50 BMG Rifle System: Close Quarter 20" Barrel	M82A1CQ-SYS
Model 82A1 .416 Barrett Rifle Kit: 29" Barrel, Leupold Scope & BORS®	12437
Model 82A1 .50 BMG Rifle Kit: 29" Barrel, Leupold Scope & BORS	12412
Model 82A1 Upper Receivers and Barrel Kit	
Model 82A1 .416 Barrett Upper: 29" Barrel	12649
Model 82A1 .50 BMG Upper: 29" Barrel	12650
Model 82A1 .50 BMG CQ Upper: 20" Barrel	12660
.416 Barrel Conversion Kit for Model 82A1	12405
Model 95™ Bolt Action Repeater	
Model 95 .50 BMG Rifle System: 29" Barrel	M95-SYS
Model 95 .50 BMG Rifle Kit: 29" Barrel, Leupold Scope & BORS	12181
Model 99™ Bolt Action Single-Shot	
Model 99 .416 Barrett Rifle System: 32" Barrel	M99 416-SYS
Model 99 .416 Barrett Kit: 32" Barrel, Bushnell® Elite® 10x Scope	M99 416-K1
Model 99 .50 BMG Rifle System: 29" Fluted Barrel	M99A1-1-SYS
Model 99 .50 BMG Rifle System: 32" Barrel	M99A1-SYS
Model 99 .50 BMG Kit: 32" Barrel, Bushnell Elite 10x Scope	M99A1-K1
Model 99 .50 BMG Kit: 29" Fluted Barrel, Bushnell Elite 10x Scope	M99A1-K2
Model 98B® Bolt Action Repeater	
Model 98B .338 Lapua Magnum Rifle System: 27" Fluted Barrel, Bipod, Monopod, 2 Mags	98001-SYS1
Model 98B .338 Lapua Magnum Kit: 27" Fluted Barrel, w/Leupold, Cleaning Kit	98001-K1
Model 98B .388 Lapua Magnum Rifle System: 20" Barrel, Bipod, Monopod, 2 Mags	98002-SYS1
Model 98B .338 Lapua Magnum Kit: 20" Barrel, w/Leupold, Cleaning Kit	98002-K1
REC7® Piston Operated Rifle	
REC7 5.56 NATO Rifle: 16" Barrel, Omega X™ Rail	12257
REC7 5.56 NATO Fixed Stock Rifle: 16" Target Crown Barrel, Omega X Rail	12455
REC7 5.56 NATO PDW: 8" Barrel, Omega X Rail	12358
REC7 5.56 NATO Rifle: 16" Barrel, Omega X Rail, with Aimpoint® Micro T-1	12495
REC7 5.56 NATO Rifle: 16" Barrel, Omega X Rail, with Aimpoint CompM4	12497

RIFLE SYSTEMS & KITS

	Part No.
REC7 Piston Operated Rifle (continued)	
REC7 5.56 NATO PDW: 8" Barrel, Omega X Rail, with Aimpoint Micro T-1	12232
REC7 6.8 SPC Rifle: 16" Barrel, Omega X Rail	12256
REC7 6.8 SPC Fixed Stock Rifle: 16" Target Crown Barrel, Omega X Rail	12702
REC7 6.8 SPC PDW: 8" Barrel, Omega X Rail	12355
REC7 6.8 SPC Rifle: 16" Barrel, Omega X Rail, with Aimpoint Micro T-1	12494
REC7 6.8 SPC Rifle: 16" Barrel, Omega X Rail, with Aimpoint CompM4	12496
REC7 6.8 SPC PDW: 8" Barrel, Omega X Rail, with Aimpoint Micro T-1	12695
REC7 Upper Receivers	
REC7 5.56 NATO Upper: 16" Barrel, Omega X Rail	12554
REC7 5.56 NATO Upper: 16" Target Crown Barrel, Omega X Rail	12677
REC7 5.56 NATO Upper: 16" Barrel, A.R.M.S.® S.I.R.® System	12231
REC7 5.56 NATO PDW Upper: 8" Barrel, Omega X Rail	12688
REC7 6.8 SPC Upper: 16" Barrel, Omega X Rail	12553
REC7 6.8 SPC Upper: 16" Target Crown Barrel, Omega X Rail	12682
REC7 6.8 SPC Upper: 16" Barrel, ARMS S.I.R. System	12680
REC7 6.8 SPC PDW Upper: 8" Barrel, Omega X Rail	12690
Ammunition	
Barrett .50 M33 Ball Ammunition, 80-Round Case	AMMO-M33-80
Barrett .50 M33 Ball Ammunition, 10-Round Box	AMMO-M33-10
Lake City XM33 Ammunition, 120-Round Bulk Pack-WSL	BXM33
.416 Barrett Ammunition, with Hornady® 450 gr BTHP, 10-Round Box	41622
.416 Barrett Ammunition, with Hornady 450 gr BTHP, 100-Round Case	12770
Barrett 6.8 SPC with Hornady 110 gr BTHP/WC, 30-Round Box	11004
Ammunition Components	
.416 Bullets, 20 each-WSL	41613
.416 Barrett Brass, Unprimed, 20 pcs.	41605
BORS®	
BORS for Schmidt & Bender 3-12x50mm PM II, 0.1 MRAD adjust. (Barrett Rings Required)	66972
BORS for Schmidt & Bender 5-25x56mm PM II, 0.1 MRAD adjust. (Barrett Rings Required)	66970
BORS for Nightforce™ 3.5-15x50mm (Barrett Rings Required)	66981
BORS for Nightforce 5.5-22x50mm and 56mm (Barrett Rings Required)	66979
BORS for Nightforce 8-32x56mm (Barrett Rings Required)	66971
BORS w/ Leupold® Mark 4 4.5-14x50mm, includes ZERO-GAP® Ultra High Rings	66000-7WS
BORS for Leupold Mark 4 M1 Scopes (Barrett Rings Required)	66000-8SYS

AMMUNITION & COMPONENTS

BORS®

		Part No.
OPTICS ACCESSORIES	ZERO-GAP® and ExRings®	
	30 mm ExRings 15/40 MOA (1.6" Dual MOA Setting)	66850-A-KIT
	30 mm ExRings 20/30 MOA (1.6" Dual MOA Setting)	66858-A-KIT
	34 mm ExRings 20/30 MOA (1.7" Dual MOA Setting)	66870
	30 mm ZERO-GAP Rings Low (1.0")	66860-A-KIT
	30 mm ZERO-GAP Rings Medium (1.1")	66861-A-KIT
	30 mm ZERO-GAP Rings High (1.3")	66862-A-KIT
	30 mm ZERO-GAP Rings Ultra High (1.4")	66830-A-KIT
	34 mm ZERO-GAP Rings Medium (1.1")	66868
	34 mm ZERO-GAP Rings Ultra High (1.4")	66869

Optics & Accessories		
30 mm Accessory Ring Cap		66821
1" Scope Ring Adapters-WSL		82124-AD1 (4)

Barrett Suppressor		
.50 BMG Suppressor, Flat Dark Earth (Available Q3)		12364
.50 BMG Suppressor, Black (Available Q3)		12774
.50 BMG Suppressor Kit for Model 82A1 (Available Q3)		12775

Barrett Soft Mount		
Barrett Soft Mount		BSM

Magazines		
MRAD™ .338 Lapua Magnum 10-Round Magazine, Multi-Role Brown		12271
M107A1™ 10-Round Magazine, Flat Dark Earth (with Witness Holes)		12075
Model 82A1® .50 BMG 10-Round Magazine		82116-A
Model 82A1 .416 10-Round Magazine		82440
Model 95™ 5-Round Magazine		90116-A
6.8 SPC 30-Round Magazine		68046-A
Model 98B® 10-Round Magazine		98401

Cleaning & Maintenance		
.50 Caliber Cleaning Kit		CK-3
.50 & .416 Cleaning Kit		99135

M107A1 & Model 82A1 Parts		
M107A1 Non-Rotating Buffer		12580
Model 82A1 Accessory Rails		82900-KIT
Model 82A1 Carry Handle		LW019-A3
Model 99™ Parts		
Model 99 Retro Fit Muzzle Brake (Also Fits Model 95)		99159-KIT

		Part No.
Model 98B Parts		
Model 98B Pistol Grip		98322-K
Model 98B Sling Loop (Quick Detach)		98407
Model 98B Sling Loop (Quick Detach, 2 Pieces)		98407-K
Model 98B Recoil Pad		98304
Model 98B Bore Guide		98426
Model 98B Muzzle Brake		98108-1
Model 98B Buttplate Spacer		98434
Model 98B Receiver Extension		98422-K
Model 98B Extractor		98203
Model 98B Extractor Spring		98204
Model 98B Ejector		98205
Model 98B Ejector Spring		98206

REC7® & M468 Parts		
M468 Muzzle Brake		68022
REC7 16" Piston Rod		68250

Bipods & Monopods		
M107A1 Lightweight Bipod Assembly, Flat Dark Earth		12097
M107A1 Lightweight Monopod, Flat Dark Earth		12072
Monopod Kit (Newer Model 82A1, 99, 95)		82226-KIT
Monopod (Newer Model 82A1, 99, 95)		82226-A
Monopod Lock Knob		82225
Model 98B Monopod Assembly		98332
Model 98B Monopod Lock Knob		98335
Model 98B Monopod Kit		98332-K
Bipod for Model 82A1, 99, 95		BA-1
Spiked Feet Bipod for Model 82A1, 99, 95		BA-2
Harris Bipod (HBRM-S)		BA-5

Rifle Cases		
Pack-Mat (Model 82A1/M107®, 95)		82142-1
Drag Bag/Shooting Mat (Model 82A1/M107)		82143-3
Drag Bag Black		31024
Drag Bag ACU		31025
Drag Bag Coyote		31026
Drag Bag OD Green		31027
REC7 Tactical Soft Case		12171
Model 82A1 Pelican™ Case & Insert		82133-A4
Model 95/99 Pelican Case & Insert		82133-C2
Model 98B Pelican Case & Insert		98412

RIFLE PARTS

RIFLE PARTS

THE STORY DOESN'T END HERE.

They said it couldn't be done, but that didn't stop Ronnie Barrett. In 1982, he created the world's first shoulder-fired .50 caliber rifle and the Barrett legend was born. More than 25 years and thousands of rifles later, we've carved out a place for ourselves in history as the ultimate authority on large-caliber firearms.

But the Barrett story doesn't stop there. In fact, it's just getting started. Whether we're huddled around the drawing board or putting the finishing touches on yet another Barrett "first," we're always looking for new ways to exceed even our own expectations. Because, if there's one thing we've learned over the years, it's that nothing is impossible.

▲ **A call to arms.**
To learn more about Barrett products and for information on how you can own part of the legend, **visit barrett.net.**



Some rifles shown with optional accessories.
Photo on page 4 by Steve Woods.

All prices/specifications released by Barrett are subject to change without notice, reflect the base rifle plus accessories, do not include shipping and are applicable to U.S. commercial sales only. Contact a Federal Firearms Licensed Dealer to inquire about individual U.S. state regulations of rifles or suppressors. A valid FFL copy is required for all rifle and suppressor orders. Export of rifles and suppressors must be approved by the U.S. State Department.

Contact Barrett directly for international, military or law enforcement sales.

The California Legislature has banned the .50 BMG from its good citizens, violating their rights and the constitution of our republic. Therefore, Barrett will not sell to or service any California government agencies.

