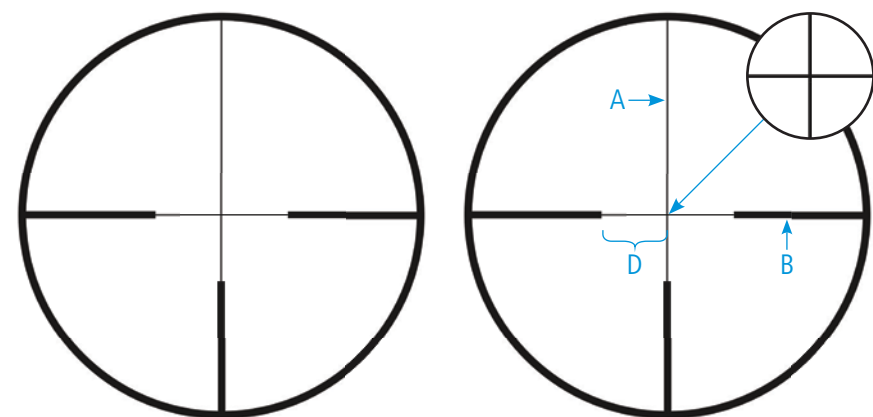
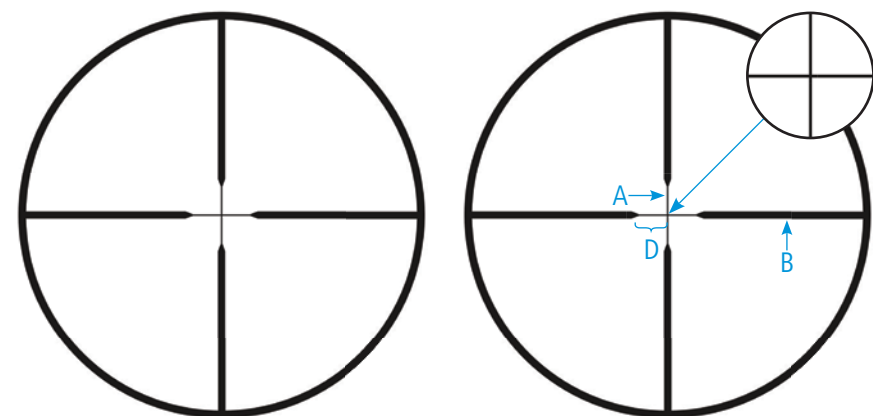


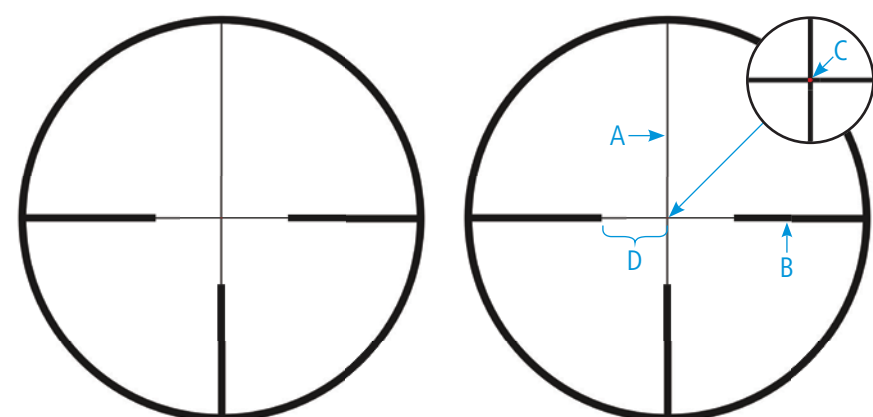
SECOND FOCAL PLANE RETICLES



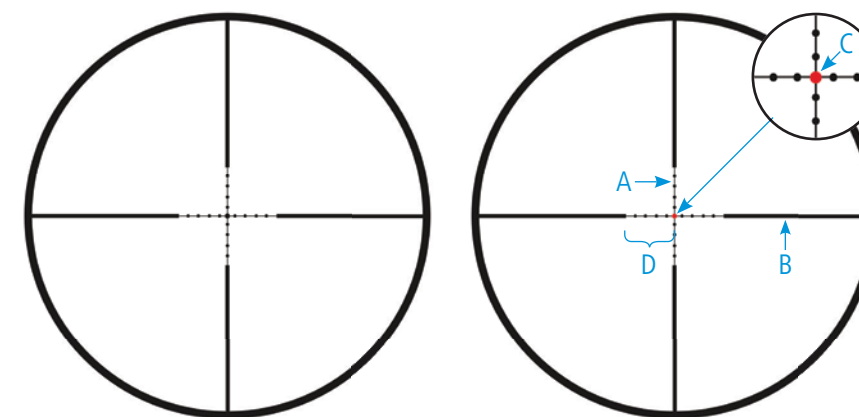
RETICLE TYPE	RETICLE #	
Plex-Style	#6	
NON-ILLUMINATED		
RIFLESCOPE(S)	CONQUEST V6 3-18x50	CONQUEST V6 5-30x50
Magnification	@ 18x	@ 30x
	MOA	MOA
Line Thickness A	0.21	0.10
Bar Thickness B	0.96	0.58
Dot Size C	N/A	N/A
Opening D	13.41	8.08



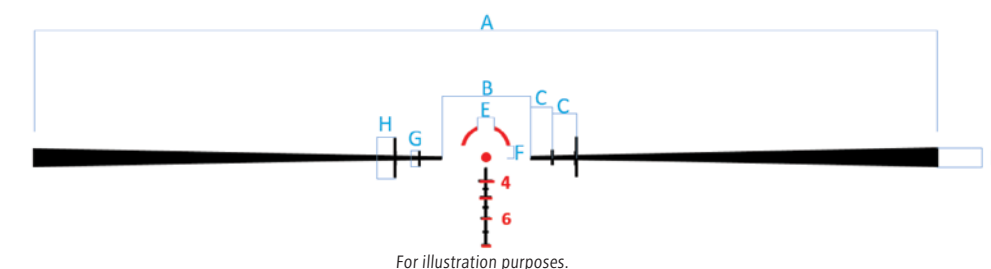
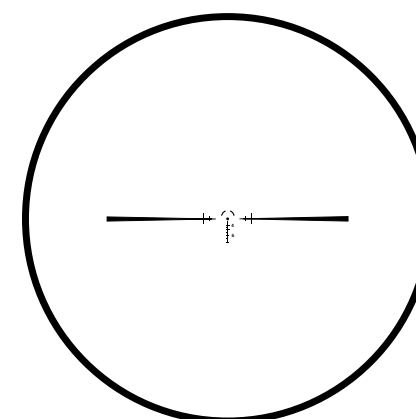
RETICLE TYPE	RETICLE #	
Z-Plex	#20	
NON-ILLUMINATED		
RIFLESCOPE(S)	CONQUEST V4 3-12x56	CONQUEST V4 4-16x44
Magnification	@ 12x	@ 16x
	MOA	MOA
Line Thickness A	*	*
Bar Thickness B	*	*
Dot Size C	N/A	N/A
Opening D	*	*



RETICLE TYPE	RETICLE #	
Plex-Style w/ Dot	#60	
ILLUMINATED		
RIFLESCOPE(S)	VICTORY V8 1-8x30	VICTORY V8 1.8-14x50
Magnification	@ 8x	@ 14x
	MOA	MOA
Line Thickness A	0.45	0.24
Bar Thickness B	1.86	1.07
Dot Size C	0.31	0.17
Opening D	30.08	17.19



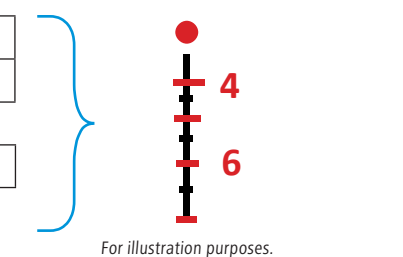
RETICLE TYPE	RETICLE #	
Mil-Dot	#43	
RIFLESCOPE(S)	VICTORY V8 4.8-35x60	CONQUEST V6 5-30x50
Magnification	@ 30x	@ 30x
	cm / 100 m	cm / 100 m
Line Thickness A	0.3 @ 30x	0.3 @ 30x
Bar Thickness B	1.7	1.7
Distance Between Dots	10	10
Dot Size C	1.3	1.3
Opening D	50	50
Illuminated Center Dot	0.24	N/A



RIFLESCOPE	CONQUEST V4 1-4x24	A	B	C	D	E	F	G	H	CIRCLE DIAMETER	LINE THICKNESS	DOT DIAMETER
Magnification @ 4x	MOA	200	20	5	4	3	1.5	3	6	10	0.40	1.50

YARDAGE HASH MARKS x 100	Top of Vertical line	4	4.5	5	5.5	6	6.5	7
DROP IN MOA FROM CENTER DOT	2.17	5.03	6.86	8.69	11.02	13.34	16.31	19.27

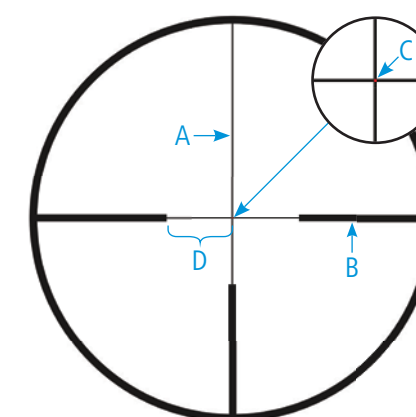
YARDAGE DROP HASH MARKS x 100	Interval Yard Hash Marks	4	5	6	7	VERTICAL LINE THICKNESS IN MOA
WIDTH OF HASH MARKS IN MOA	0.80	3.0	2.4	2.0	1.7	0.40

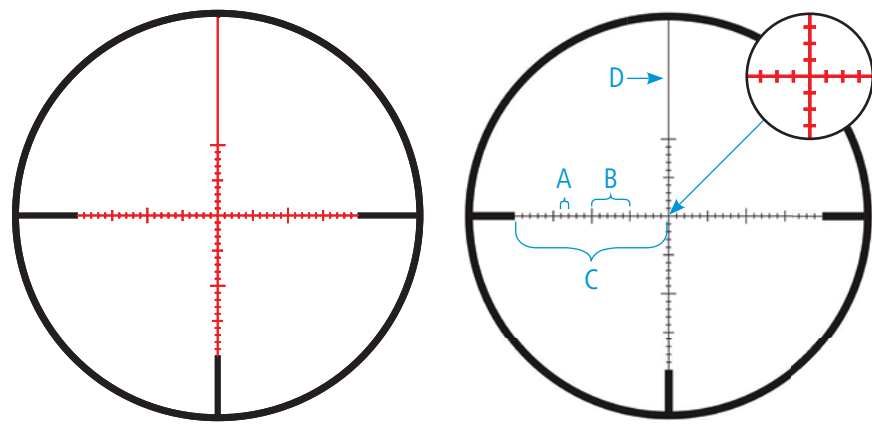


Ballistic Example: .223 Remington with 62 grain bullet at 3,020 feet per second
Ammunition Type: Federal® American Eagle® AE223N

(continued from page 68)

RETICLE #				
#60				
VICTORY V8 2.8-20x56	VICTORY V8 4.8-35x60	CONQUEST V6 1-6x24	CONQUEST V4 1-4x24	CONQUEST V4 3-12x56
@ 20x	@ 35x	@ 6x	@ 4x	@ 10x
MOA	MOA	MOA	MOA	MOA
0.17	0.10	0.58	0.86	0.34
0.76	0.41	2.85	4.30	1.72
0.12	0.07	0.41	0.61	0.24
12.03	6.88	40.05	60.15	24.07

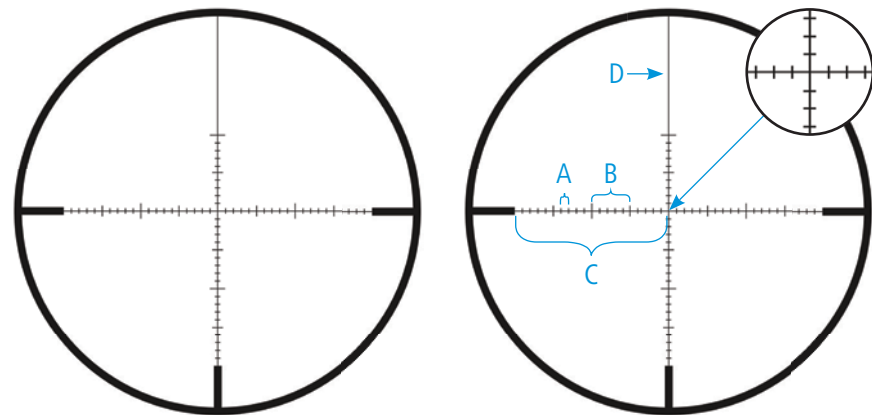




RETICLE TYPE RETICLE #

ZMOAi-1 #93

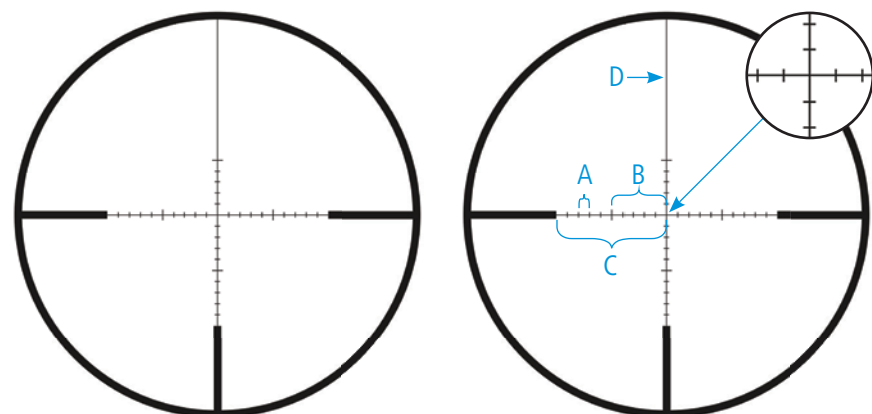
ILLUMINATED	
RIFLESCOPE(S)	CONQUEST V4 6-24x50
Magnification	@ 24x
	MOA
Distance A	1
Distance B	5
Distance C	20
Line Thickness D	0.14 @ 24x



RETICLE TYPE RETICLE #

ZMOA-1 #93

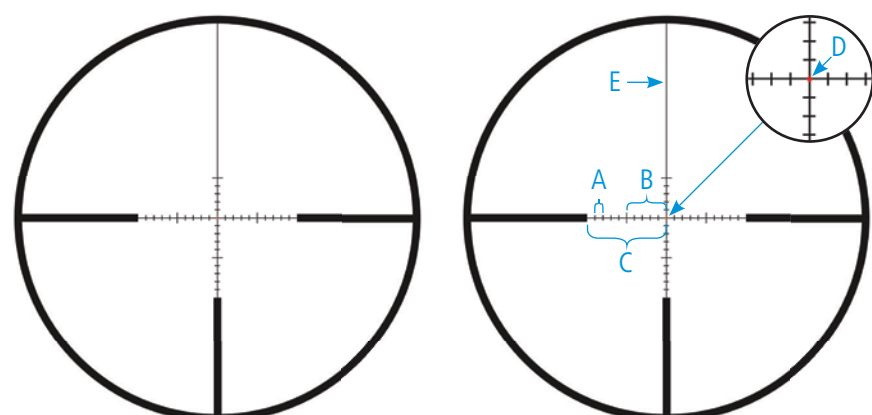
NON-ILLUMINATED		
RIFLESCOPE(S)	CONQUEST V6 5-30x50	CONQUEST V4 6-24x50
Magnification	@ 25x	@ 24x
	MOA	MOA
Distance A	1	1
Distance B	5	5
Distance C	20	20
Line Thickness D	0.14 @ 25x	0.14 @ 24x



RETICLE TYPE RETICLE #

ZMOA-2 #94

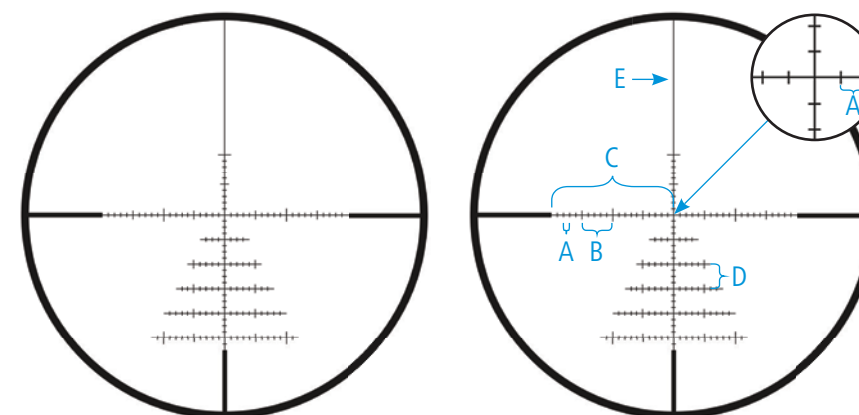
NON-ILLUMINATED		
RIFLESCOPE(S)	CONQUEST V6 3-18x50	CONQUEST V4 4-16x44
Magnification	@ 18x	@ 16x
	MOA	MOA
Distance A	2	2
Distance B	10	10
Distance C	20	20
Line Thickness D	0.19 @ 18x	0.19 @ 16x



RETICLE TYPE RETICLE #

ZMOA-4 #95

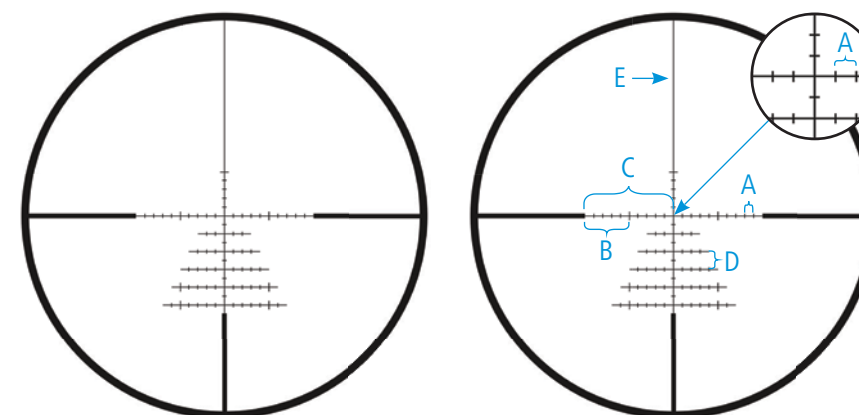
ILLUMINATED RED DOT	
RIFLESCOPE(S)	CONQUEST V6 1-6x24
Magnification	@ 6x
	MOA
Distance A	4
Distance B	20
Distance C	40
Dot Size D	0.38 @ 6x
Line Thickness E	0.53 @ 6x



RETICLE TYPE RETICLE #

ZBR-1 #91

NON-ILLUMINATED		
RIFLESCOPE(S)	CONQUEST V6 5-30x50	CONQUEST V4 6-24x50
Magnification	@ 25x	@ 24x
	MOA	MOA
Distance A	1	1
Distance B	5	5
Distance C	20	20
Distance D	4	4
Line Thickness E	0.14 @ 25x	0.14 @ 24x



RETICLE TYPE RETICLE #

ZBR-2 #92

NON-ILLUMINATED		
RIFLESCOPE(S)	CONQUEST V6 3-18x50	CONQUEST V4 4-16x44
Magnification	@ 18x	@ 16x
	MOA	MOA
Distance A	2	2
Distance B	10	10
Distance C	20	20
Distance D	4	4
Line Thickness E	0.19 @ 18x	0.19 @ 16x